



### Dewhurst US97-EN Pushbutton (weatherproof to IP66 & IP67)

The US97-EN Pushbutton has been designed to meet the requirements of EN81-70 and pr EN81-40/41 which requires the pushbutton legend to have a height of 15mm. The pushbutton benefits from a brightly illuminated legend for easy viewing in darkness as well as daylight.

#### Features & Benefits

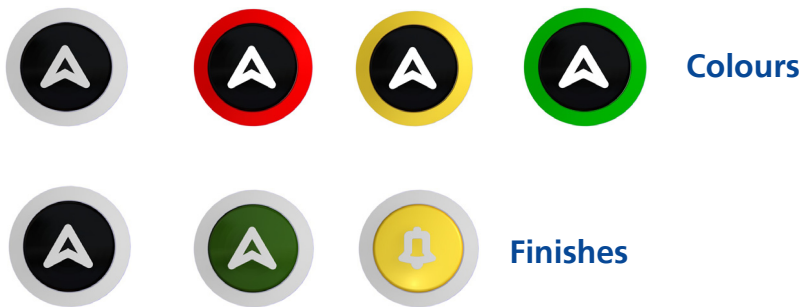
- 15mm tactile legend
- High contrast between legend and pressel
- Legend & halo illumination can be controlled individually
- Large range of pressel legends
- Vandal resistant and weatherproof
- Meets EN81-1/2, EN81-70, EN81-72, EN81-73, EN60529 (IP66 & IP67)



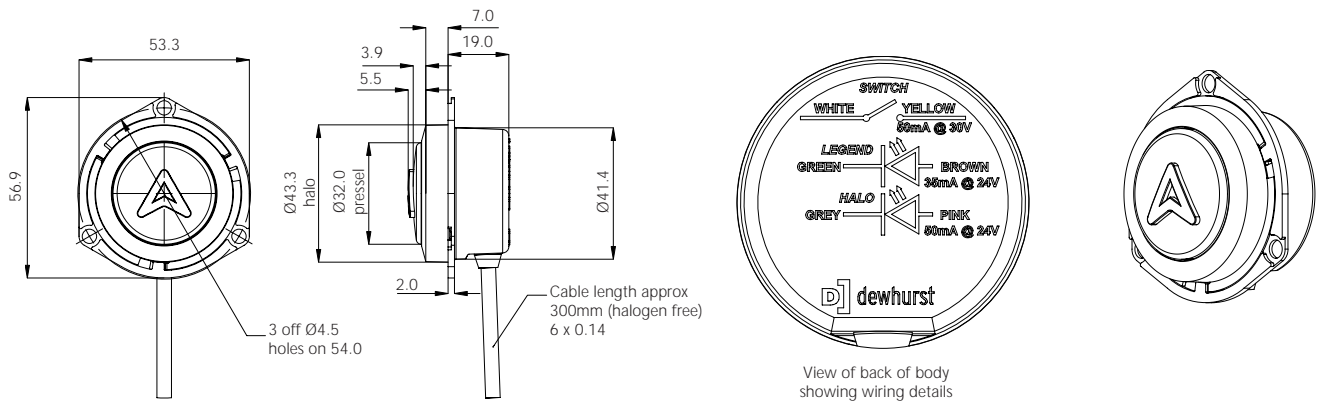
### Illumination, Finishes & Marking

- Wide range of colours for illumination including white, red, yellow and green
- Range of pressel finishes including black for call, door open and door close, yellow for alarm and green for exit floor button in car.\*
- Bicolour illumination
- A large range of legends in Helvetica Medium characters & symbols are available
- 15mm high opal tactile characters/symbols are formed during the moulding of the pressel body

\* Standard pressels are a black plate moulded with opal polycarbonate



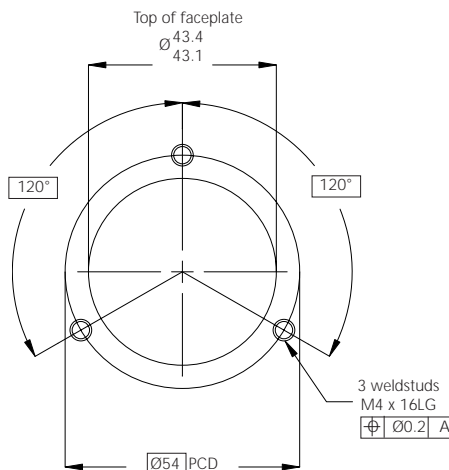
### Dimensions



## Technical Details

Weight:	75grms	
Moulded in:	High grade polycarbonate	
Pressel plate material:	Anodized aluminium (black, green, yellow)	
Pressel plate area:	804mm <sup>2</sup>	
Button force:	3.5N	
Pushbutton size:	53.3mm w x 56.9mm h x 26.0mm d	
Pressel size:	Ø32.0mm x 5.5mm deep	
Legend size:	15mm high, Helvetica medium characters	
LED current:	20mA (typically)	
LED voltage:	24 a.c./d.c. ±15%	
Operation:	Magnet switch	
Ratings:	30V d.c. at 50mA max. resistive loads	- min. no. of operations: 1 x 10 <sup>6</sup>
	24V d.c. at 20mA max. resistive loads	- min. no. of operations: 2 x 10 <sup>6</sup>
	12V d.c. at 5mA max. resistive loads	- min. no. of operations: 1 x 10 <sup>6</sup>
Contact arrangements:	1 N/O	
Code compliance:	Meets EN81-1/2, EN81-70, EN81-72, EN81-73	
IP Rating:	EN60529 (IP66 & IP67)	

## Cutouts & Stud Positions



## Cleaning your US97-EN Pushbutton

Many **Dewhurst** lift products are made of **polycarbonate** (Using GE's **Lexan®** or Bayer's **Makrolon®**).

The US97-EN is highly durable and vandal resistant but the plastic parts can be damaged by aggressive cleaning agents, Dewhurst therefore recommends:



Clean the part with a **cotton cloth and warm water** before applying the cleaning product



Use **PH-neutral or slightly acid cleaning products only** (including aromatised ones) Ethylic alcohol, isopropyl alcohol or ethylene glycol based multipurpose cleaning products and dish soaps are suggested.



Dilute the cleaning product in warm water and apply using a wet cotton cloth.



**Grease, glue and paint** may be removed with ethylic alcohol or isopropyl alcohol.

### Recommended Cleaning Products (\*):

Europe	North America
Windus - Brial Top - Ecolab Mr. Proper Surfaces Delicates - Proctor & Gamble Palmolive, Colgate Palmolive	Formula 409® Cleaner Degreaser Joy®, Proctor & Gamble Windex, Drackett Products Palmolive, Colgate Palmolive

(\*): Due to the vast number of cleaning products available on the market, the list of recommended products above is an illustration only

### Note:

- Do not use abrasive cleaning agents
- Do not use sharp tools to remove dirt (chewing gum, glue, etc.)
- Do not use solvents based with Ketones, benzene, methanol, toluene (also known as methylbenzene or phenyl methane) or alkaline and ammonia based cleaning agents
- Do not use cleaning agents at high temperatures
- Do not leave cleaning agents on the parts for long periods: remove immediately after cleaning using a wet cotton cloth and warm water
- Do not use dry cotton cloths and sponges