



Dewhurst US95-EN Compact 3/3P Pushbutton

The circular US95-EN Braille Pushbutton meets all the requirements of the visually impaired. The wide tactile legend can be easily seen from all angles and can be illuminated in a variety of colours. The Braille dots below the legend are Standard English Braille. The pressel background is black, providing good contrast with legend and faceplate and meets the requirement of EN81-70. The US95-EN is available with the standard Compact 3 body or Compact 3P, a useful option for surface mount fixtures.

Features & Benefits

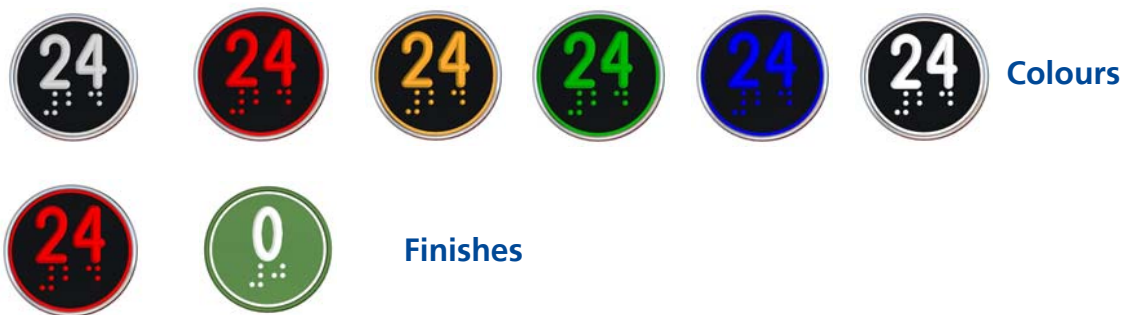
- 15mm tactile legend with Braille
- A halo of light between the pressel and surround via a patented hidden recess encircles the pressel and illuminates the legend
- Legend & halo can be constantly illuminated at half intensity, switching to full intensity for indication of position or call acceptance
- High contrast between pressel and legend
- Large range of pressel legends
- Matching range includes keyswitches, rocker switches and indicators
- Also available with C2 body
- Vandal resistant with stainless steel front
- Meets EN81-1/2, EN81-70, EN81-71 (Category 2), EN81-72, EN81-73, EN60529 (IP54)



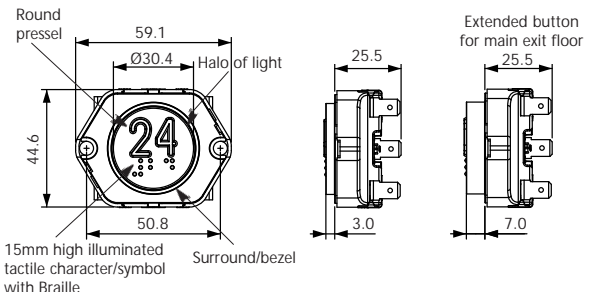
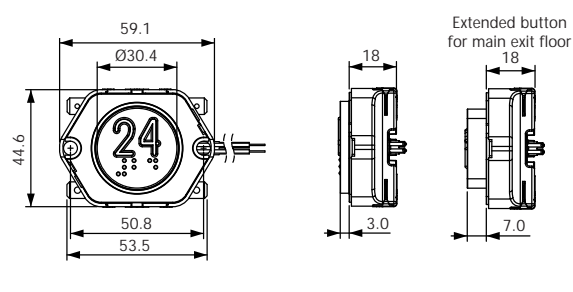
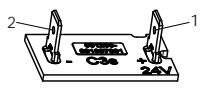
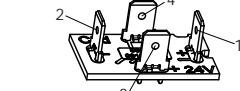
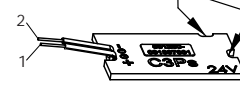
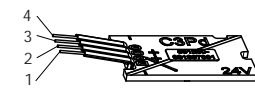
Illumination, Finishes & Marking

- Wide range of colours for illumination including (non), red, yellow, green, blue and white
- Range of surround finishes and heights - chrome, brass, black - 3.4 and 7.3mm
- Single, dual and bicolour illumination
- A large range of legends in Helvetica Medium characters & symbols are available
- 15mm high opal tactile characters/symbols are formed during the moulding of the pressel body. Standard English Braille appears below the character/legend

* Standard pressels are a black plate moulded with opal polycarbonate



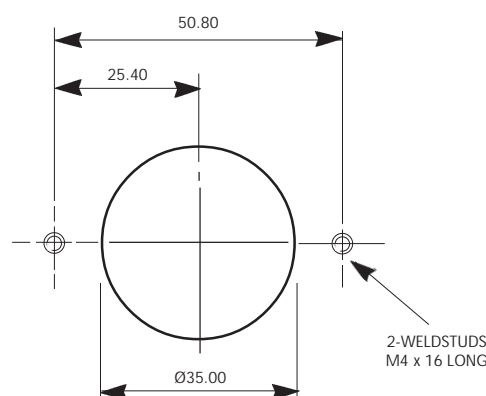
Dimensions

C3		C3P	
			
SINGLE	DUAL/BI/BI+	SINGLE	DUAL/BI/BI+
			
1 = FULL (+) 2 = FULL (-)	1 = FULL (+) 2 = FULL (-) 3 = DIM/BACKGROUND (+) 4 = DIM/BACKGROUND (-)	1 = FULL (+) 2 = FULL (-)	1 = FULL (-) 2 = FULL (+) 3 = DIM/BACKGROUND (+) 4 = DIM/BACKGROUND (-)
Please note the orientation of PCB notches to the tab (C3) or cable (C3P) numbers		1 = RED 2 = BROWN OR BLACK	1 = BROWN OR BLACK 2 = RED 3 = ORANGE OR RED 4 = YELLOW OR BLACK

Compact 3/3P Pushbuttons can be supplied loose or incorporated into stations with 1.5mm or 2.5mm stainless steel faceplates, with a vertical pitch of 50mm and horizontal pitch of 60mm (C3) or 80mm (C3P) i.e the pushbutton body can be rotated through 90 degrees (horizontal version shown above). If pushbuttons are supplied loose, spacers are provided to accommodate the differing faceplate thickness.

Technical Details

Weight:	70grms		
Moulded in:	High grade polycarbonate		
Pressel plate material:	Anodised aluminium (black, green, yellow)		
Pressel plate area:	707mm ²		
Button force:	3.5N		
Pushbutton size:	C3 = 59.1mm w x 44.6mm h x 25.5mm d C3P = 59.1mm w x 44.6mm h x 18mm d		
Pressel size:	24.2mm w x 24.2mm h x 3.2mm d		
Legend size:	15mm high, Helvetica medium characters		
LED current:	20mA (typically)		
LED voltage:	6/12/24/110V a.c./d.c. ±15% (6V only available in red and yellow)		
Operation:	Wiping action, slow make and break with solid silver contacts		
Ratings:	10 amps max		
	240V a.c. at 3.0 amps max. resistive loads	- min. no. of operations:	1 x 10 ⁶
	240V d.c. at 0.5 amps max. resistive loads	- min. no. of operations:	2 x 10 ⁶
	110V d.c. at 100mA max. inductive TC40ms	- min. no. of operations:	1 x 10 ⁶
	12V d.c. at 5mA max. resistive loads	- min. no. of operations:	10 x 10 ⁶
Contact arrangements:	2 N/O, 2 N/C or 1 N/O + 1 N/C		Please note that it is possible for the N/O contact to make before the N/C contact has opened on the 1 N/O + 1 N/C configuration
Code compliance:	Meets EN81-1/2, EN81-70, EN81-71(Category 2), EN81-72, EN81-73		
IP Rating:	EN60529 (IP54)		

Cutouts & Stud Positions


Cleaning your US95-EN Pushbutton

Many **Dewhurst** lift products are made of **polycarbonate** (Using GE's **Lexan®** or Bayer's **Makrolon®**).

The US95-EN is highly durable and vandal resistant but the plastic parts can be damaged by aggressive cleaning agents, Dewhurst therefore recommends:



Clean the part with a **cotton cloth and warm water** before applying the cleaning product



Use **PH-neutral or slightly acid cleaning products only** (including aromatised ones) Ethylic alcohol, isopropyl alcohol or ethylene glycol based multipurpose cleaning products and dish soaps are suggested.



Dilute the cleaning product in warm water and apply using a wet cotton cloth.



Grease, glue and paint may be removed with ethylic alcohol or isopropyl alcohol.

Recommended Cleaning Products (*):

Europe	North America
Windus - Brial Top - Ecolab Mr. Proper Surfaces Delicates - Proctor & Gamble Palmolive, Colgate Palmolive	Formula 409® Cleaner Degreaser Joy®, Proctor & Gamble Windex, Drackett Products Palmolive, Colgate Palmolive

(*): Due to the vast number of cleaning products available on the market, the list of recommended products above is an illustration only

Note:

- Do not use abrasive cleaning agents
- Do not use sharp tools to remove dirt (chewing gum, glue, etc.)
- Do not use solvents based with Ketones, benzene, methanol, toluene (also known as methylbenzene or phenyl methane) or alkaline and ammonia based cleaning agents
- Do not use cleaning agents at high temperatures
- Do not leave cleaning agents on the parts for long periods: remove immediately after cleaning using a wet cotton cloth and warm water
- Do not use dry cotton cloths and sponges

pushbuttons

US96



US96

The square shaped US96 Braille pushbutton meets all the requirements of the visually impaired. The wide tactile legend can be easily seen from all angles and can be illuminated in a variety of colours. The Braille dots below the legend are Standard English Braille. The pressel background can be either black, providing good contrast with legend and faceplate, or stainless steel. The US96 is available with the standard Compact 2 body, or Compact 2 Micro, a useful option for surface mount fixtures.

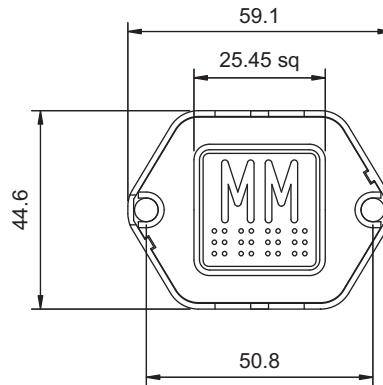
key features

- 15mm high tactile legend with Braille
- Legend and halo illumination
- Vandal resistant
- Large range of pressel legends
- High contrast between pressel and legend
- Standard pressels are a stainless steel plate moulded with red or opal polycarbonate

Dewhurst plc
Inverness Road
Hounslow
Middlesex TW3 3LT UK

Tel: +44(0) 20 8607 7300
Fax: +44(0) 20 8572 5986
Email: info@dewhurst.co.uk
www.dewhurst.co.uk

specification



This product is designed to meet the requirements of the following codes and regulations either in its standard form or through variants.

EN81-1/2	✓
BS8300	X
M2/S2	X
EN81-70	X
B44	X
EN81-71	*
AS1735.12	✓
EN81-72	✓
A117.1	X
EN81-73	✓
EN60529	IP54

* Compact 2 = Category 2
Compact 2 Micro = Category 1

technicals

- Moulded in high grade polycarbonate
- LED current 20mA
- A detailed data sheet for this product can be found on our website

benefits

- Matching range includes keyswitches and rocker switches
- Vandal resistant

options

- Wide range of colours for illumination including red, white, green, yellow and blue
- Single, dual and bi-colour illumination
- Available with either C2 or C2 Micro body

For more information on our pressel range contact us at:

Dewhurst plc
Inverness Road
Hounslow
Middlesex TW3 3LT UK

Tel: +44(0) 20 8607 7300
Fax: +44(0) 20 8572 5986
Email: info@dewhurst.co.uk

www.dewhurst.co.uk