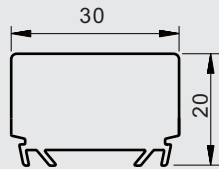


Description

- 0-3 m sensing range
- 35 cross scanning beams
- Power, output and signal status indicators
- 18 - 30 V dc supply voltage
- Static and dynamic applications
- Dimensions



The EA3206302 light curtain system consists of a TX emitter and RX detector between which an array of Infra red photo-eyes create a break-beam entrance sensor. The detectors are housed in an aluminum and PVC enclosure (30 × 20mm). The system requires a DC18 - 30 V power supply and has an NPN solid state output configured in the normally open (N/O) condition. The system includes time-out function, which allows a pre-set number of non-adjacent channels to be automatically ignored if permanently obstructed. Transmitter and receiver detectors are line-synchronised and multiplexed. The system can be used in both static and / or dynamic applications. Both the transmitter and receiver detectors are protected against reverse polarity of the supply input. The signal output is also protected against short circuit and inductive loads.

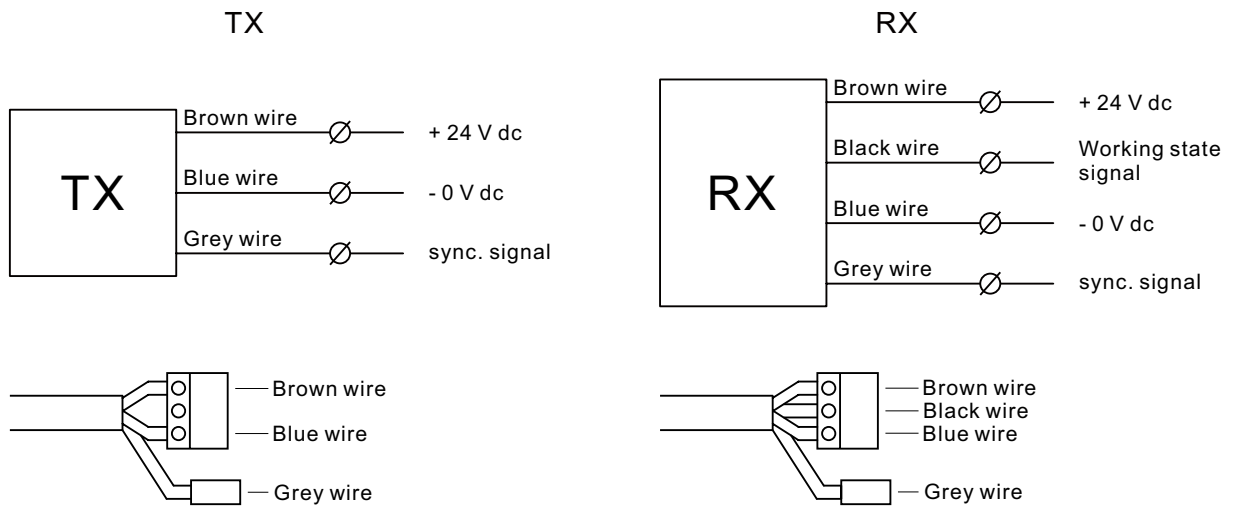
Technical Data

Supply voltage	18 - 30 V dc			
Current consumption	Max. 150mA			
Output rating - max sink current	250mA			
Short circuit protected	Yes			
Reverse polarity protected	Yes			
Number of infrared sensor	32			
Number of cross scanning beams	63			
Detection Range	0 - 1.8 m			
Sensor spacing	57.3 mm			
Bottom spacing to Ch1	22 mm			
Pinch point beam spacing	28.65 mm			
Detection status output indicator	Red LED	On the top of RX		
Power on indicator	Green LED	On the top of RX		
Output signal	NPN collector output	Normally closed		
Response time	10 - 100 ms			
Installation tolerances	Angle	± 10°		
	Horizontal	± 4mm		
	Vertical	± 10mm		
Cable, PVC Ø 6 mm (TX / RX)	0.2+4m 3 / 4 × 0.5 mm ² TX: Three-core cable RX: Four-core cable			
Housing dimensions (w × d)	30 × 20 mm			
Housing material	Aluminum / PVC			
Installation kit	Instructions	1part	13'extension cable	2 pcs
	M4x10 screw	20 pcs	ST4.8x13 screw	20pcs
	ST3.5x10 screw	10pcs	M4 flat washer	20pcs
	M5 flat washer	20pcs	M3 spring washer	14pcs
	Clip	6 pcs	Ribbon (2.5x102mm)	4pcs
	Ribbon (3.5x200mm)	4pcs	Ribbon seat	4pcs
	Φ3. 6Drilling bit	1pcs	PVC bracket	1pcs
	Door bracket	10pcs	Cable fixing frame	2set

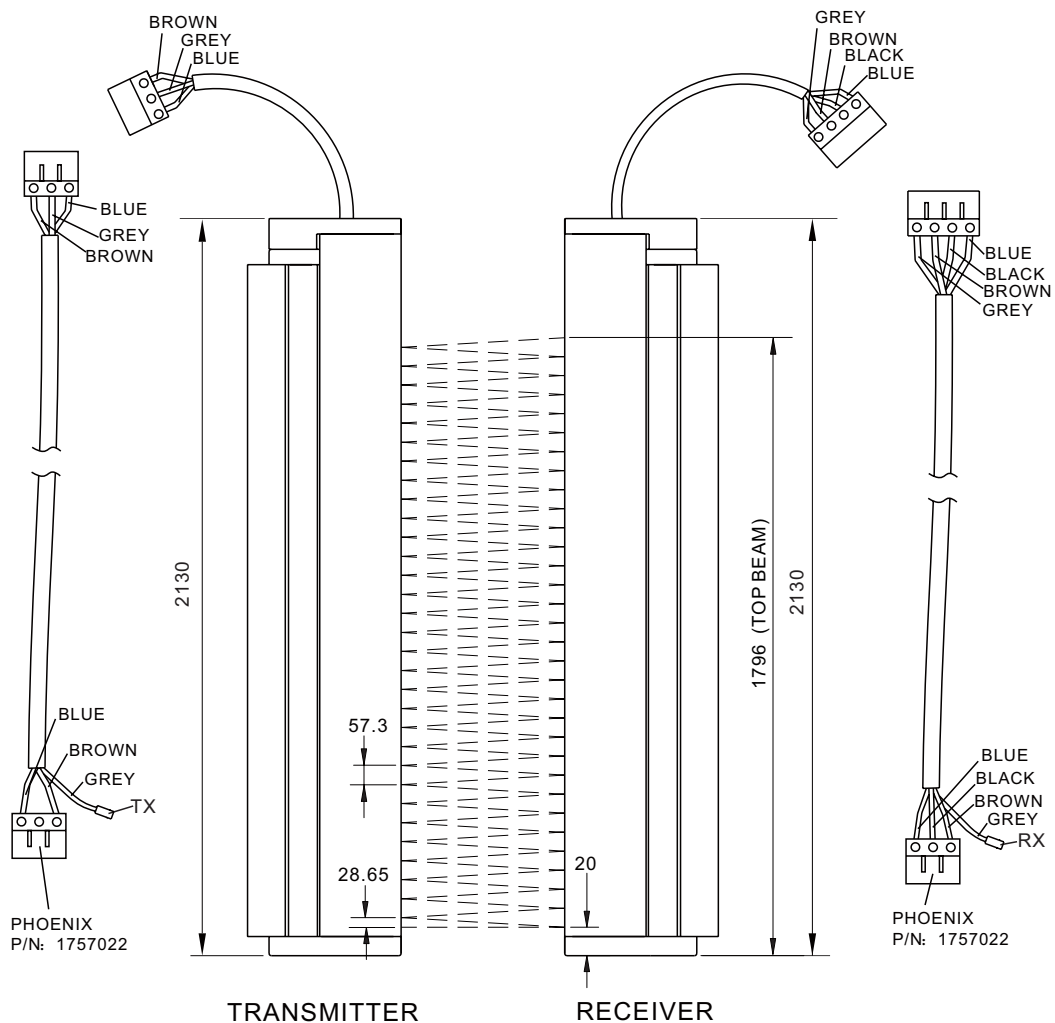
Environmental Data

Light immunity @ 5° incidence	> 100,000 lux		
Temperature, operation	0 to +55 °C		
Temperature, storage	- 20 to +60 °C		
Sealing class	IP 54		
Vibration	Vibration 20 to 500Hz 4hrs per X-Y-Z axis, sinusoidal vibration 30Hz rms 30mins per X-Y-Z axis		
Environment test (high & low temperature)	IEC60068.1 — IEC60068.4		
Approvals general circuit level	EMC: EN12015, EN12016		

Wiring Diagrams



Dimensions and Beam Patterns



(Units in mm)